

# Aero Manufacturing

*Best of Breed in  
Manufacturing  
Technology*





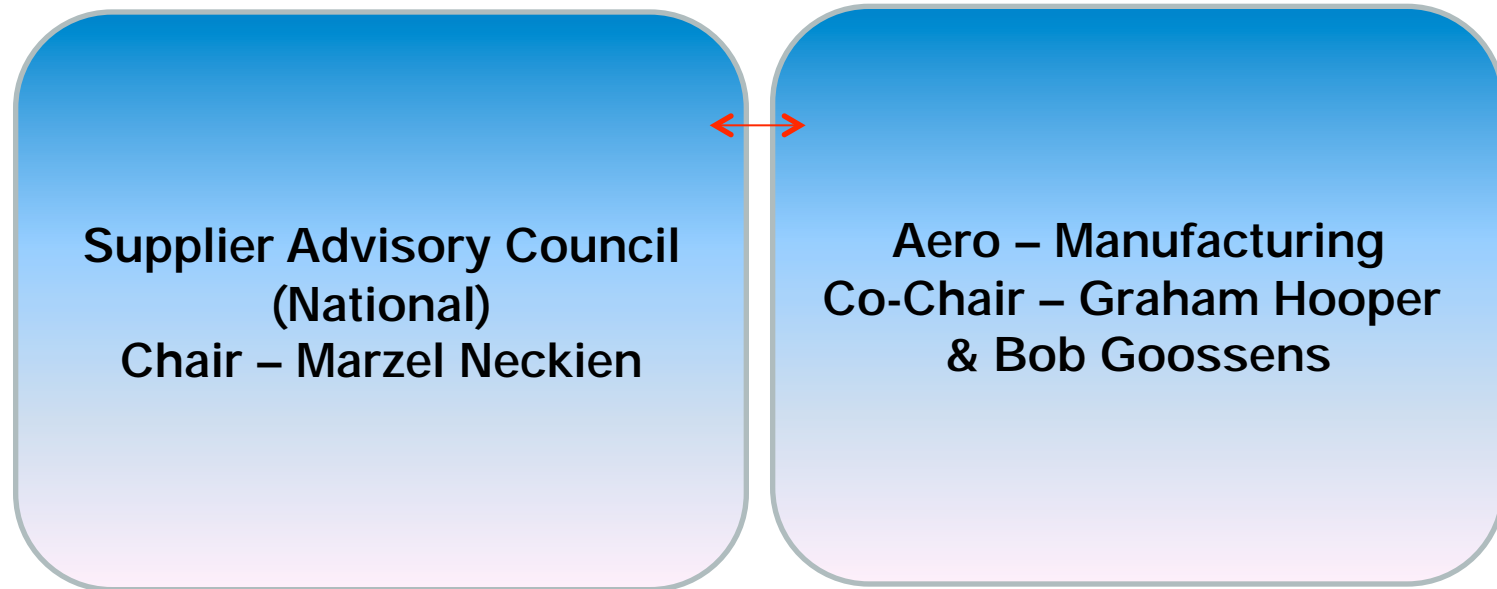
# **SEA & Ellison Technologies join forces to form Aero-Manufacturing**



# Who is Ellison Technologies

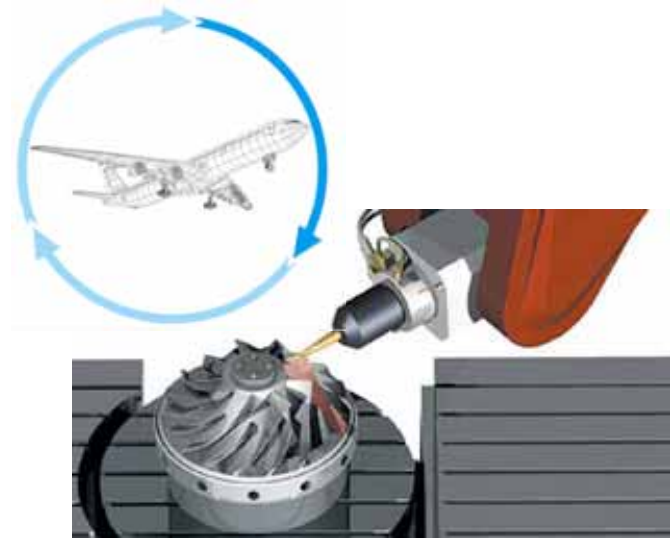
- Ellison Technologies is a provider of advanced machining solutions to North American metal-cutting manufacturers and their global affiliates.
  - First began in 1955 here in California
  - 80% coverage of the U.S. Metal Cutting Market
  - Comprehensive services
    - Machines including turnkey solutions
    - Engineering services which includes experience in lean & six sigma
    - Automation solutions
    - Financial services
    - Support - Training, Part programming & Parts (24 X 7)

# Aero-Man and SEA



# Aero-Manufacturing Vision

- ➔ Aero-Manufacturing is an unprecedented partnership among “best-of-breed” manufacturing companies that serve the aerospace industry.



# Aero-Manufacturing Roles

- Research and development of leading technologies
- Develop and conduct educational sessions for suppliers
- Work closely with the Supplier Advisory Council to ensure integration with SEA operations and roadmap implementation

# Aero-Man – Best of Breed

- Integrated solutions to meet the needs of “best in class” aerospace manufacturers





# Aero-Man – Best of Breed



Experts in machine tool solutions offering an array of advanced technology to support aerospace manufacturers in meeting rigorous production demands.

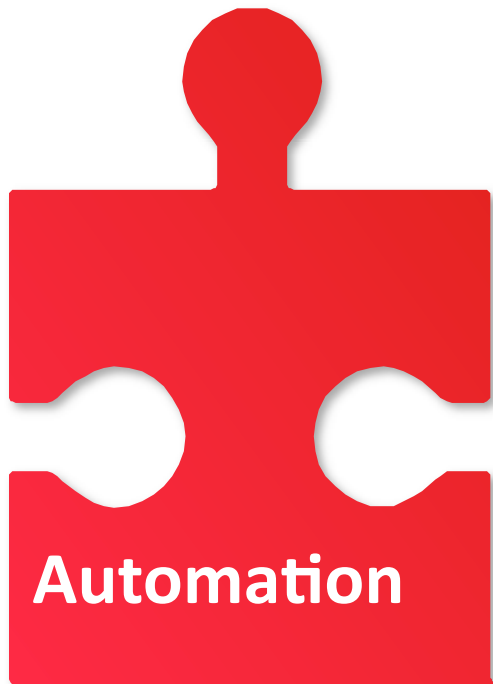


# Aero-Man – Best of Breed



Experts in part marking to support traceable part requirements

# Aero-Man – Best of Breed



**Experts in Automation solutions to enhance machining assets that increase efficiency and throughput.**

# Aero-Man – Best of Breed



**Experts in accessories to enhance machine assets to support unique or complex applications.**

# Aero-Man – Best of Breed



**Experts in tooling specifically focused to support production of parts from classic materials to titanium and inconel as well as Fixturing necessary to support manufacturing an array of complex parts**

# Aero-Man – Best of Breed



Experts in an array of metrology products and services to help meet demanding part inspection requirements.

# Aero-Man – Best of Breed



Experts in training services and solutions to increase throughput by reducing set up time.

# Aero-Man – Best of Breed



**Experts in state of the art education solutions to assist in operator development from machining fundamentals through advanced machining and machine tool operations.**



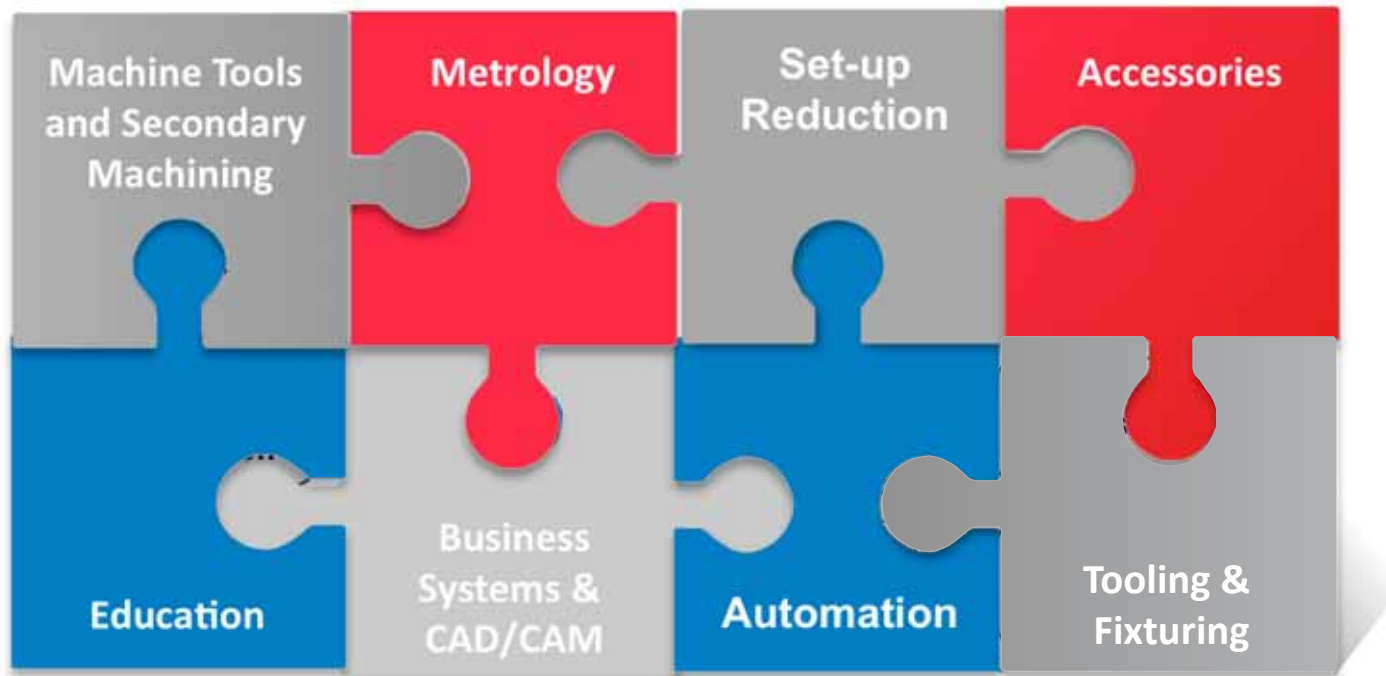
# Aero-Man – Best of Breed



**Experts in software products,  
services and training ranging  
from CAD, CAM, ERP, MRP or  
Accounting/Financial**

# Aero-Man – Best of Breed

- ✈ Center of Excellence for the Aerospace and Defense Supply Chain



# Approached

- Mori Seiki – Machine Tools
- DMG – Machine Tools
- Trumpf – Laser Marking
- Zeiss - Metrology
- Hexagon - Metrology
- ATS Systems – Setup Reduction
- Sandvik – Tooling
- Kennametal – Tooling

# Approached

- Glovia – Business Systems (*Confirmed*)
- FANUC Robotics – Robotics
- Tooling U – Education
- Mori Seiki – Mori Seiki University

# Considering

- Solid Works – CAD
- Chick – Fixturing

# Customer & Supplier Inputs

- How can Aero-Manufacturing be the ideal manufacturing technology resource to help you meet your need?
  - Products
  - Services
  - Product Development

